

Stinger® 2.0

- Dual purpose break-apart monitor for use as a deck gun or portable monitor
- Numerous truck adapter and portable base options available to suit every need
- In portable mode, five forged aluminum legs with self-adjusting carbide-tipped ground spikes increase stability
- Rotation lock mechanism provides positive left-right lock with visual position indication
- By-passable safety stop at 35° above horizontal
- Safety strap for additional stability
- Lightweight for its class
- Most flow efficient in its class with a friction loss reducing 3³/₈" vaned waterway
- Patented monitor to base latching mechanism is user-friendly and provides visual indication of status
- Fully enclosed stainless steel worm gear
- Liquid filled pressure gauge
- Two carrying handles



Fully enclosed stainless steel worm gear

Break-apart safety lock and handle

Quad Stacked Tips

Rotation lock lever

Stream Shaper

Safety Tie-down Strap

Latch pins with visual indicators

Carbide-tipped, spring-loaded, ground spikes

200
PSI

1250
GPM



STINGER® 2.0

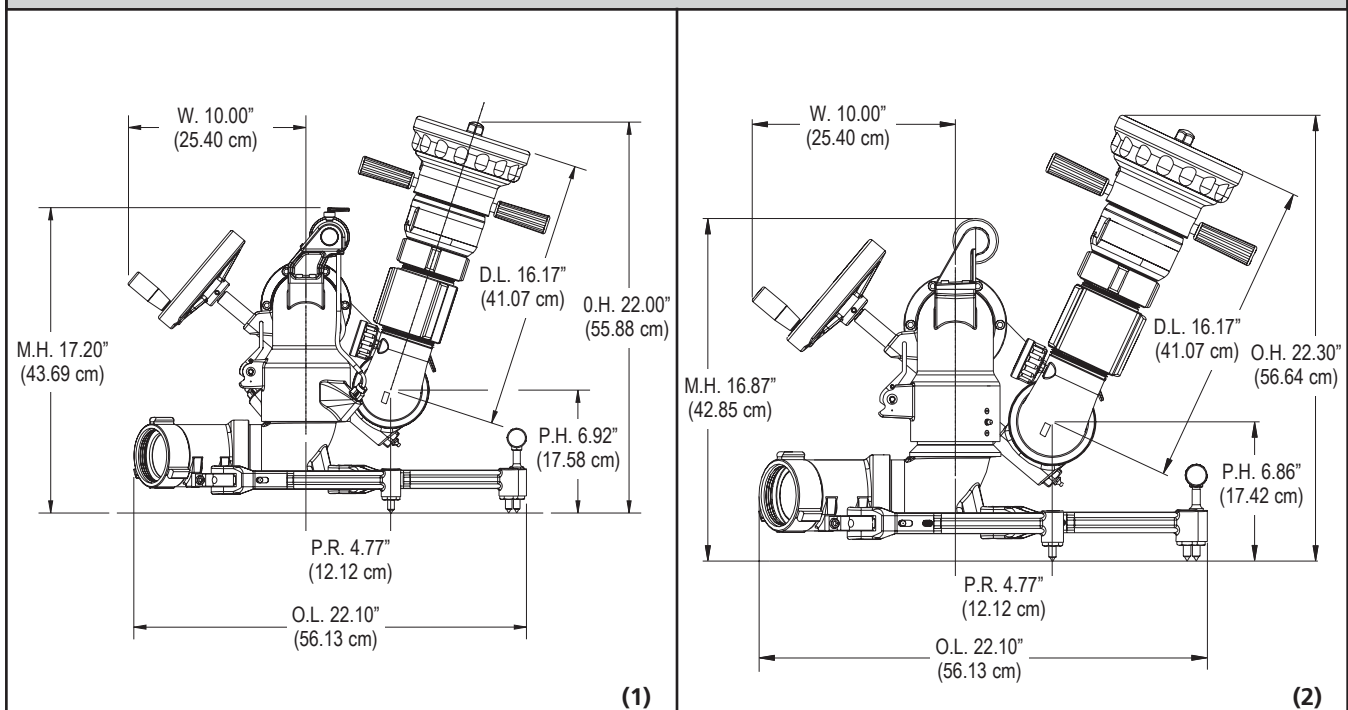
SPECIFICATIONS

	Portable		Deck Mount	
Max. GPM (LPM)	1250 (4732)		1250 (4732)	
Inlets	Sizes	Types	Sizes	Types
	2 x 2.5"	NHT (1000 GPM)	1 x 3"	NPT (1250 GPM)
	1 x 4.5"	NHT (1250 GPM)	1 x 3"	150# ANSI Flange (1250 GPM)
	1 x 4"	NHT (1250 GPM)	2 x 2.5"	NHT (1000 GPM)
	1 x 3.5"	NHT (1250 GPM)		
	1 x 5.0"	Storz (1250 GPM)		
	1 x 4.0"	Storz (1250 GPM)		
Outlet Sizes	2.5"	NHT	2.5"	NHT
Control	Single hand-wheel		Single hand-wheel	
Material/Finish	Elk-O-Lite® with red urethane enamel		Elk-O-Lite® with red urethane enamel	
Friction Loss	27 psi at 1250 gpm 16 psi at 1000 gpm		25 psi at 1250 gpm 16 psi at 1000 gpm	
Travel	V +35° to +75° (40°) H L45° to R45° (90°)		V -15° to +75° (95°) H 360° (continuous)	
Weight	29 Lbs. (with 2 x 2.5" inlets)		22 Lbs.	
Ratings and Certifications				

KEY CONFIGURATIONS (ACCESSORIES)



DIMENSIONS & LAYOUT



Stinger® 2.0 Selector Guide

INLET SIZES / TYPES					OUTLET SIZE	ILLUSTRATION	MODEL	
SINGLE				DUAL	2.5"			
3.5" NHT	4.0" NHT	4.5" NHT	4.0" STORZ	5.0" STORZ		2.5" NHT		
o	o	o	o	o	s	•	1	8297-2.0*
o	o	o	o	o	s	•	2	8397-2.0
				6	7			Illustration

KEY s = standard o = option

* For the Break-a-Part version, the upper and lower unit may be purchased separately.

Components & Options Chart

COMPONENTS & OPTIONS		ILLUSTRATION	MODEL
Truck Mount Adapters (8297-2.0)	1 x 3" NPT Female (without Flange)	5	8298 P 2.0
	1 x 3" - 150# ANSI	4	8298 F 2.0
	2 x 2.5" Deck Mount	8	8299
Storage Bracket	Truck storage mounting bracket for portable base or complete monitor	3	8297 MB
The PIPE™ (8297-2.0)	Increases the height of a deck mounted Stinger® 2.0 by 18 inches – constructed of Elk-O-Lite® (approximately 10 Lbs.)	9	8298 EX 2.0
Storage Bracket	Mounting bracket for storing the PIPE™ 2.0		8298 EX MB 2.0
Caution Light	For use with the PIPE™ – visual confirmation that The PIPE™ is attached		81258001
Anchor Kit	For portable monitors		81204001
Companion Flange Kit	3" 150# ANSI steel flange with bolts and gasket		81315001
Protective Cover	A shaped polymer covering for deck-mounted or portable mounted bases, designed to protect the swivel bearing and/or ring gear. Attached tether for securing the cover.	10	

Recommended Products

SM-1000HF – SELF-EDUCTING	SM-1250 – X-STREAM®	282-A – STREAM SHAPER	ST-194 – QUAD STACKED TIPS
			
6-16	Page 6-7	Page 1-27	Page 1-29

Product Highlights

The Stinger® (8297 2.0) adds excellent value as the "break-apart" capability makes it two monitors in one – both a deck mount and a portable unit.

Safety Aspects

Latch pin includes a visual position indicator which allows you to confirm, at a glance, that the pins are in the latched position.



ADDITIONAL INFORMATION

- Technical Data on monitor performance may be found on page T-11.
- Please inquire with our sales staff for additional thread options.